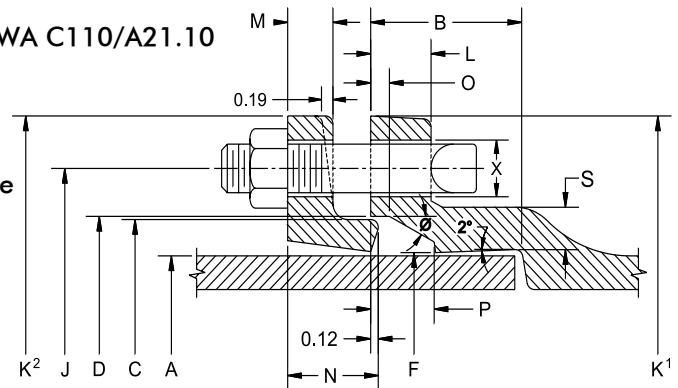


# SUBMITTAL

(Current Revisions for All Standards Apply)

- SIZES:** ..... 2" through 48"
- STANDARDS:** ..... ANSI/AWWA C110/A21.10-08 and NFPA 3"-12" UL Listed (EX2111)  
**Note:** Cast with tested and traceable ASTM A536 Ductile Iron
- PRESSURE RATING:** 2" - 24" rated @ 350 psi; 30" - 48" & all fittings with flanged branches rated @ 250 psi  
**Note:** With use of special flange gasket 2" - 24" flanged fittings can be rated @ 350 psi  
For 350 psi flange joint applications, we recommend the use of annular ring type gasket or comparable.
- DEFLECTION:** ..... Fittings 2" - 12", \*5° maximum deflection & 14" - 48", \*3° maximum deflection  
**Note:** If pipe O.D. & fitting I.D. at nominal, achievable deflection is ~50% of maximum
- NSF-61:** ..... Meets all requirements, UL Listed (MH16439)
- ASPHALTIC COATING:** ..... ANSI/AWWA C104/A21.4 & AWWA C110/A21.10
- CEMENT LINING:** ..... ANSI/AWWA C104.A21.4-08, Double cement lining available
- EPOXY COATING:** ..... ANSI/AWWA C116/A21.16-09  
**Note:** Fittings are available to the specification(s) required for your application(s)
- BARE:** ..... Available
- BOLTS:** ..... ANSI/AWWA C111/A21.11-7
- INSTALLATION:** ..... AWWA C600-10 using pipe conforming to ANSI/AWWA C151/A21.51-02 or ANSI/AWWA C900-C905



## JOINT DIMENSIONS IN INCHES

Size	A	B	C	D	F	Ø	X	J	K <sup>1</sup>	K <sup>2</sup>	L	M	N	O	P	S
2	2.50	2.50	3.39	3.50	2.61	28°	¾	4.75	6.25	6.25	.75	.62	1.12	.31	.63	.44
3	3.96	2.50	4.84	4.94	4.06	28°	¾	6.19	7.69	7.69	.94	.62	1.37	.31	.63	.52
4	4.80	2.50	5.92	6.02	4.90	28°	7/8	7.50	9.12	9.12	1.00	.75	1.50	.31	.75	.65
6	6.90	2.50	8.02	8.12	7.00	28°	7/8	9.50	11.12	11.12	1.06	.88	1.63	.31	.75	.70
8	9.05	2.50	10.17	10.27	9.15	28°	7/8	11.75	13.37	13.37	1.12	1.00	1.75	.31	.75	.75
10	11.10	2.50	12.22	12.34	11.20	28°	7/8	14.00	15.69	15.62	1.19	1.00	1.75	.31	.75	.80
12	13.20	2.50	14.32	14.44	13.30	28°	7/8	16.25	17.94	17.88	1.25	1.00	1.75	.31	.75	.85
14	15.30	3.50	16.40	16.54	15.44	28°	7/8	18.75	20.31	20.25	1.31	1.25	2.00	.31	.75	.89
16	17.40	3.50	18.50	18.64	17.54	28°	7/8	21.00	22.56	22.50	1.38	1.31	2.06	.31	.75	.97
18	19.50	3.50	20.60	20.74	19.64	28°	7/8	23.25	24.83	24.75	1.44	1.38	2.13	.31	.75	1.05
20	21.60	3.50	22.70	22.84	21.74	28°	7/8	25.50	27.08	27.00	1.50	1.44	2.19	.31	.75	1.12
24	25.80	3.50	26.90	27.04	25.94	28°	7/8	30.00	31.58	31.50	1.62	1.56	2.31	.31	.75	1.22
30	32.00	4.00	33.29	33.46	32.17	20°	1 1/8	36.88	39.12	39.12	1.81	2.00	2.75	.38	1.00	1.50
36	38.30	4.00	39.59	39.76	38.47	20°	1 1/8	43.75	46.00	46.80	2.00	2.00	2.75	.38	1.00	1.80
42	44.50	4.00	45.79	45.96	44.67	20°	1 3/8	50.62	53.12	53.12	2.00	2.00	2.75	.38	1.00	1.95
48	50.80	4.00	52.09	52.26	50.97	20°	1 3/8	57.50	60.00	60.00	2.00	2.00	2.75	.38	1.00	2.20