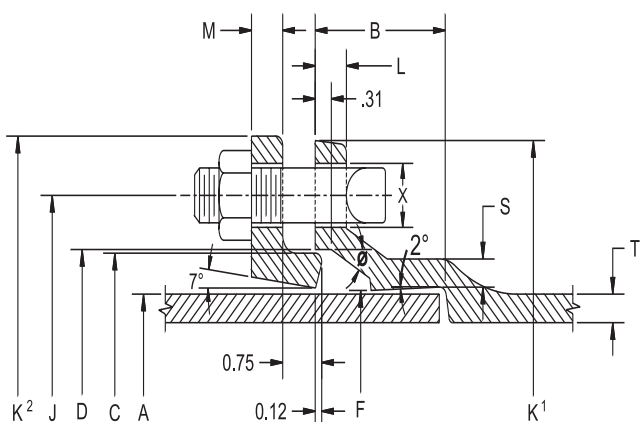


Tyler/Union

Mechanical Joint Compact Fittings SUBMITTAL



- SIZES:** 2" through 48"
- STANDARDS:** ANSI/AWWA C153/A21.53
- PRESSURE RATING:** 3"-24" @350 PSI;
30"-48" & fittings with
Flanged branches at 250
PSI
- NSF-61:** Meets all requirements,
UL Certified
- COATING:** ANSI/AWWA C104/A21.4
- CEMENT LINING:** ANSI/AWWA C104.A21.4,
Double Available
- EPOXY COATING:** ANSI/AWWA C116/A21.16
- BARE:** Available
- BOLTS:** ANSI/AWWA C111/A21.11
- INSTALLATION:** AWWA C600

JOINT DIMENSIONS IN INCHES

BOLTS

Size	A Dia.	B	C Dia.	D Dia.	F Dia.	J Dia.	K1 Dia.	K2 Dia.	L	M	S	T	X	Size	No.
3	3.96	2.50	4.84	4.94	4.06	6.19	7.62	7.69	.58	.62	.39	.33	3/4	5/8x3	4
4	4.80	2.50	5.92	6.02	4.90	7.50	9.06	9.12	.60	.75	.39	.34	7/8	3/4x3 1/2	4
6	6.90	2.50	8.02	8.12	7.00	9.50	11.06	11.12	.63	.88	.43	.36	7/8	3/4x3 1/2	6
8	9.05	2.50	10.17	10.27	9.15	11.75	13.31	13.37	.66	1.00	.45	.38	7/8	3/4x3 1/2	6
10	11.10	2.50	12.22	12.34	11.20	14.00	15.62	15.62	.70	1.00	.47	.40	7/8	3/4x3 1/2	8
12	13.20	2.50	14.32	14.44	13.30	16.25	17.88	17.88	.73	1.00	.49	.42	7/8	3/4x3 1/2	8
14	15.30	3.50	16.40	16.54	15.44	18.75	20.31	20.25	.79	1.25	.56	.47	7/8	3/4x4	10
16	17.40	3.50	18.50	18.64	17.54	21.00	22.56	22.50	.85	1.31	.57	.50	7/8	3/4x4	12
18	19.50	3.50	20.60	20.74	19.64	23.25	24.83	24.75	1.00	1.38	.68	.54	7/8	3/4x4	12
20	21.60	3.50	22.70	22.84	21.74	25.50	27.08	27.00	1.02	1.44	.69	.57	7/8	3/4x4	14
24	25.80	3.50	26.90	27.04	25.94	30.00	31.58	31.50	1.02	1.56	.75	.61	7/8	3/4x4 1/2	16
30	32.00	4.00	33.29	33.46	32.17	36.88	39.12	39.12	1.31	2.00	.82	.66	1 1/8	1x5 1/2	20
36	38.30	4.00	39.59	39.76	38.47	43.75	46.00	46.00	1.45	2.00	1.00	.74	1 1/8	1x5 1/2	24
42	44.50	4.00	45.79	45.96	44.67	50.62	53.12	53.12	1.45	2.00	1.25	.82	1 3/8	1 1/4x6 1/2	28
48	50.80	4.00	52.09	52.26	50.97	57.50	60.00	60.00	1.45	2.00	1.35	.90	1 3/8	1 1/4x6 1/2	32