

SUBMITTAL

(Current Revisions for All Standards Apply)

SIZES: Adjustable Slip and Screw type with standard assembled lengths ranging from 15" to 72", not including risers and extensions.

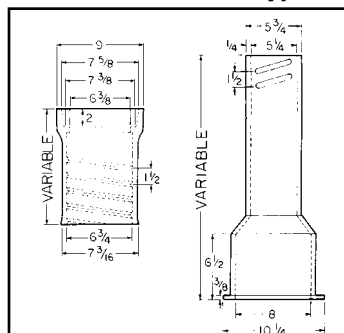
Note: See catalog or website for complete listing of components

STANDARDS: Produced in accordance with and meet all applicable terms and provisions of ASTM A-48 and are cast with 35B class cast iron. When properly installed will meet American Association of State Highway and Transportation Officials (AASHTO) H2O wheel load rating.

INSTALLATION: Per AWWA M44, Manual of Water Supply Practices

COATING: The bituminous coating is applied by the dipping method to a mil thickness of approximately 1.0 to 1.5 mils.

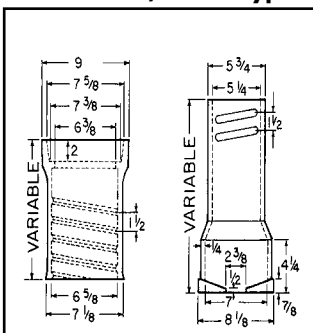
**For 4" to 12" Valves
5 1/4" Shaft, Screw Type**



**6850 SCREW TYPE
VALVE BOX
Cast Iron - 2 piece**

Components	Extension Height
10T + 15B	19-22
10T + 24B	27-32
16T + 24B	27-37
16T + 30B	33-43
16T + 36B	39-50
26T + 30B	36-52
26T + 36B	39-60
26T + 24B + #60 Ext	51-71
26T + 36B + #60 Ext	62-82

**For 3" to 20" Valves
5 1/4" Shaft, Screw Type**

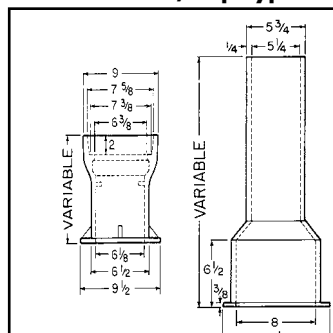


**6860 SCREW TYPE
VALVE BOX
Cast Iron - 3 piece**

Components	Extension Height
10T + 12B	27-37
10T + 18B	33-42
16T + 24B	39-49
16T + 30B	45-54
16T + 36B	51-60
26T + 30B	45-66
26T + 36B	51-72

NOTE: Base Required,
Order Separately

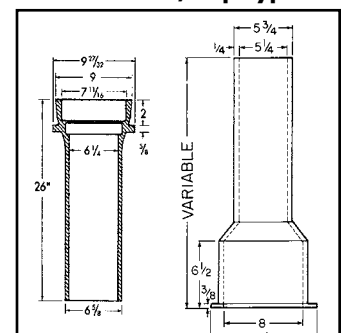
**For 4" to 12" Valves
5 1/4" Shaft, Slip Type**



**6855 SLIP TYPE
VALVE BOX
Cast Iron - 2 piece**

Components	Extension Height
10T + 15B	19-22
10T + 24B	27-32
16T + 24B	27-37
16T + 30B	33-43
16T + 36B	39-50
26T + 30B	36-52
26T + 36B	39-60
26T + 24B + #60 Ext	51-71
26T + 36B + #60 Ext	62-82

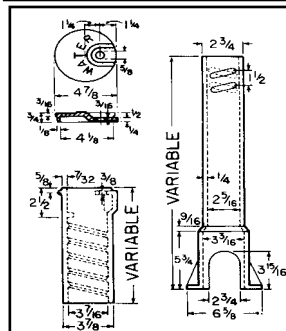
**For 4" to 12" Valves
5 1/4" Shaft, Slip Type**



**7126 SLIP TYPE
VALVE BOX**

Components	Extension Height
26T + 24B	28-48
26T + 30B	34-54
26T + 36B	40-60
26T + 24B + #60 Ext	52-72
26T + 36B + #60 Ext	60-80

NOTE: Use the 6855 Bottoms
with these Tops



For 1/2" to 2" Curbstops

**6500 SCREW TYPE
CURB / SERVICE BOX**

Components	Extension In Inches
18T & 27B	30-42
18T & 33B	36-48
24T & 33B	36-54
24T & 39B	42-60
30T & 39B	41-64

*Enlarged Base Available

**T = Top
B = Bottom
EXT = Extension**