



30U-Standard Mechanical & Push-On Joint Gaskets

(SBR, NBR, EPDM, Neoprene, FKM)

Revised 12 /09

Page 1 of 2

SUBMITTAL

(Current Revisions for All Standards Apply)

Tyler Union provides that it's *Mechanical and Push-On joint gaskets and dimensions conform to the drawings set forth in ANSI/AWWA C111/A21.11-7 (current revision). Markings include size, mold number, gasket manufacturer's mark, country where molded, and product identification letters. No markings are placed on sealing surfaces per the AWWA C111 standard.

**Note: Mechanical Joint Transition gasket standards are not addressed under the ANSI/AWWA C111/A21.11-7. Transition gaskets provided by Tyler Union follow the guidelines and standards established for Standard Mechanical Joint Gaskets.*

Gasket material is vulcanized styrene butadiene rubber (SBR). Purchaser may request special application elastomers (EPDM, Nitrile, Neoprene & FKM) which will be identified on all documentation and corresponding gaskets. Gaskets are free of foreign materials, porous areas, or other defects that make them unfit for the intended use.

Tyler Union gaskets are manufactured under quality control standards and procedures that are maintained by the gasket supplier. Appropriate documentation is maintained by the manufacturer and available for review upon request. Properties and test methods for SBR, EPDM, Nitrile, Neoprene and FKM gaskets are as listed below:

| Property | ASTM Test Method | Required Value |
|--------------------------------------|-------------------|------------------|
| Hardness, Shore "A" | D2240-86 | 75 (+-5) |
| Minimum Tensile | D412-87 | 1500 psi (10MPa) |
| Minimum Elongation | D412-87 | 150 % |
| Minimum Aging | D572-88 | 60 % |
| Maximum Compression Set | D395-89, Method B | 20 % |
| Resistance to surface Ozone cracking | D1149-86 | No cracking |

Tyler Union's gasket supplier maintains a quality assurance program and manual that is reviewed and updated on an ongoing basis to ensure product quality. Tyler Union's gasket supplier does in house testing and submits to random testing by Underwriters Laboratories, Inc. Tyler Union's gasket provider is recognized under the component program (UL 194/ UL 157) of Underwriters Laboratories, Inc.

Tyler Union provides that our Mechanical and Push-On joint gaskets for potable or wastewater projects will perform as designed when selected per the chart provided and installed per AWWA C600.

| | | |
|--|----------------|--|
| SBR (Styrene Butadiene rubber)(Buna-S) <i>Not Recommended for Hydrocarbon Service</i> | 20°F to 180°F | Suitable for Water, Wastewater, most moderate chemicals, wet or dry Organic acids, Alcohols, Ketones, and Aldehydes |
| EPDM (Ethylene Propylene) <i>Not Recommended for Hydrocarbon Service</i> | -10°F to 250°F | Ideal for Water, Wastewater, Ozone, & strong oxidizing chemicals May be used on steam and air within its temperature range |
| CR (Neoprene) | -10°F to 225°F | Recommended for moderate chemicals and acids, Oil fats, Greases, Many solvents and air with Hydrocarbons. <i>Will not support combustion</i> |
| NBR (Nytrel)(Buna-N)(Hycar) | -40°F to 250°F | Ideally Suited for Gasoline, Petroleum products, Hydrocarbons, water, Mineral and Vegetable oils |
| *FKM(Flouoroelastomer) *Check w/Technical Support for availability | 10°F to 425°F | Ideally Suited for Hydrocarbons, Acids, Vegetable oils & Petroleum |

Gasket Types Offered: 1) Mechanical Joint 2) Push-On Joint 3) Mechanical and Push-On Transition Joint 4) Cast iron 5) MJ Duo 6) Armor Tip Conductivity Gaskets

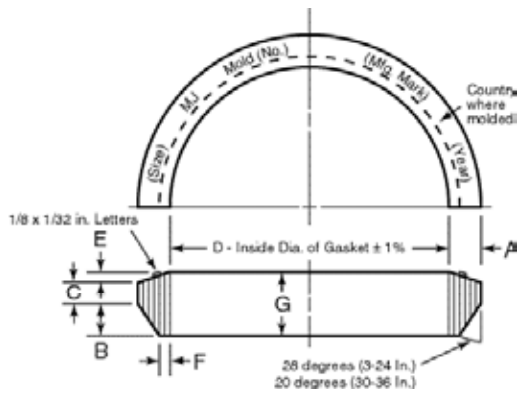
Unless other wise requested by the purchaser upon order placement, all gaskets provided will be of our standard SBR material. Tyler Union Mechanical and Push-On joint gasket products are manufactured in the USA and are marked in accordance with ANSI/AWWA C111/A21.11-7, current revision.

This document is void if modified in any manner.

MECHANICAL JOINT GASKETS
ANSI/AWWA C111/A21.11

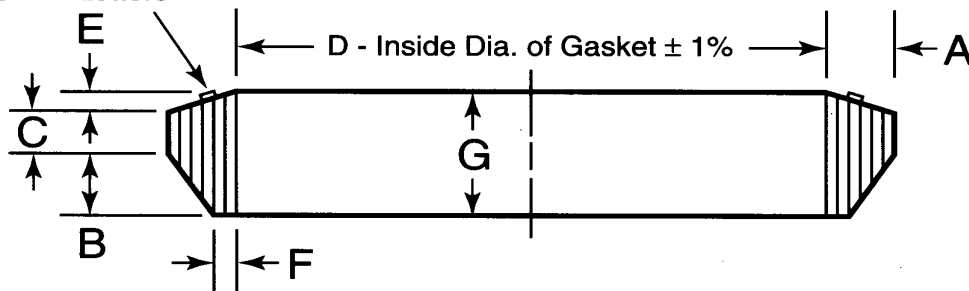
Mechanical Joint Gasket Dimensions in Inches

| Pipe Size | Pipe OD | A ± 0.01" | B | C | D ± 1% | E ± 0.01" | F ± 0.01" | G ± 0.02" |
|-----------|---------|--------------|------|-----|-----------|--------------|--------------|--------------|
| 2* | 2.50 | .48 | .62 | .31 | 2.48 | .12 | .15 | 1.05 |
| 3 | 3.96 | .48 | .62 | .31 | 3.86 | .12 | .15 | 1.05 |
| 4 | 4.80 | .62 | .75 | .31 | 4.68 | .16 | .22 | 1.22 |
| 6 | 6.90 | .62 | .75 | .31 | 6.73 | .16 | .22 | 1.22 |
| 8 | 9.05 | .62 | .75 | .31 | 8.85 | .16 | .22 | 1.22 |
| 10 | 11.10 | .62 | .75 | .31 | 10.87 | .16 | .22 | 1.22 |
| 12 | 13.20 | .62 | .75 | .31 | 12.95 | .16 | .22 | 1.22 |
| 14 | 15.30 | .62 | .75 | .31 | 14.99 | .16 | .22 | 1.22 |
| 16 | 17.40 | .62 | .75 | .31 | 17.07 | .16 | .22 | 1.22 |
| 18 | 19.50 | .62 | .75 | .31 | 19.13 | .16 | .22 | 1.22 |
| 20 | 21.60 | .62 | .75 | .31 | 21.20 | .16 | .22 | 1.22 |
| 24 | 25.80 | .62 | .75 | .31 | 25.34 | .16 | .22 | 1.22 |
| 30 | 32.00 | .73 | 1.00 | .38 | 31.47 | .16 | .37 | 1.54 |
| 36 | 38.30 | .73 | 1.00 | .38 | 37.67 | .16 | .37 | 1.54 |
| 42 | 44.50 | .73 | 1.00 | .38 | 43.78 | .16 | .37 | 1.54 |
| 48 | 50.80 | .73 | 1.00 | .38 | 49.98 | .16 | .37 | 1.54 |



Not included in AWWA C111. Manufacturer's Standard.

1/8 x 1/32 in. Letters



Mechanical Joint Transition Gasket Dimensions in Inches

| Pipe Size | A ± 0.01" | B | C | D ± 1% | E | F ± 0.01" | G ± 0.02" |
|-----------|--------------|-----|-----|-----------|-----|--------------|--------------|
| 3 | .70 | .62 | .31 | 3.45 | .16 | .37 | 1.11 |
| 4 | .77 | .75 | .31 | 4.43 | .16 | .37 | 1.26 |
| 6 | .76 | .75 | .31 | 6.53 | .16 | .36 | 1.25 |
| 8 | .82 | .75 | .31 | 8.50 | .16 | .42 | 1.27 |
| 10 | .79 | .75 | .31 | 10.59 | .16 | .39 | 1.26 |
| 12 | .84 | .75 | .31 | 12.56 | .16 | .44 | 1.28 |